

# GYNECOLOGICAL TABLE

MODEL: JM-4F  
ORDER NUMBER: 11.1047



## PRODUCT FEATURES

### General Features

Number of Mattresses	3
Maximum Carrying Capacity	180 kgs
Dead Weight	120 kgs
Gross Weight	180 kgs
Packaging Dimensions	740x1440x860 mm
Classification	Class I, EU 2017/745 MDR
Standards	EN 60601-1, EN 60601-1-2, EN IEC 60601-2-46
Regulatory Compliance	CE

### Material Specifications

Body Material	Antistatic Painted Steel
Top Slab / Mattress Material	Sponge Leather Coating Mattress / PU Mattress

### Electrical Properties

Inlet Voltage	220-240 V AC / 50-60 Hz
Working Voltage	24 V DC
Electrical Protection Class	Class I

### Table Positions

Movements of the JM-4F Gynecological Examination Table are operated by electrical motors. All movements can be controlled by electrical foot pedal and handset.

### Electromechanical Positions

Height Adjustment  
Trendelenburg  
Back Section

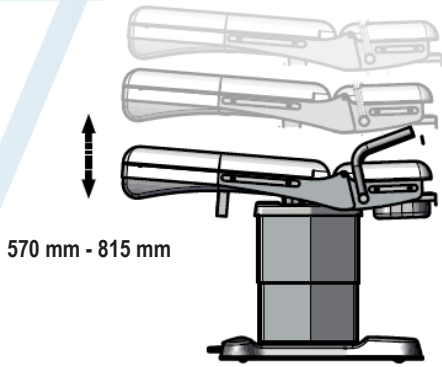
### Standard Accessories

OM-110	IV Pole
OM-225	Geopel Knee Crutch, Pair

# GYNECOLOGICAL TABLE

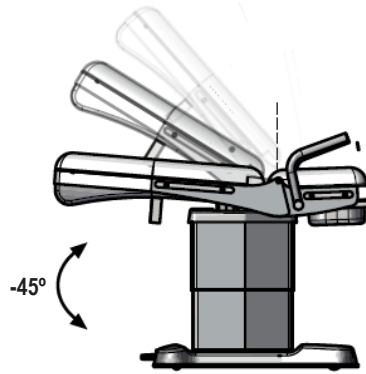
MODEL: JM-4F  
ORDER NUMBER: 11.1047

## TABLE POSITIONS



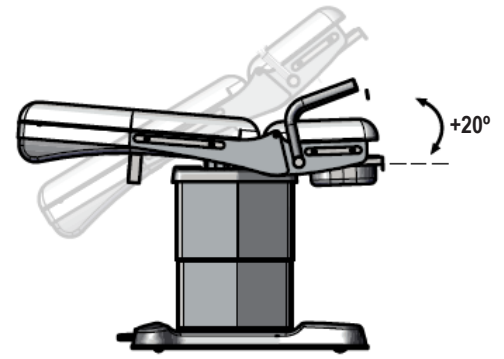
570 mm - 815 mm

**Height Adjustment :**  
1x2000 N electromechanic motors and  
1x1000 N gas springs.



-45°

**Back Rest Movement**  
1x3000 N Electromechanic motors  
for back rest movement.



+20°

**Trendelenburg - Reverse Trendelenburg**  
1x3000 N electromechanic motors for  
trendelenburg movement

## TECHNICAL DRAWING

