

# PENDANTS DOUBLE JOINT

MODEL: 5070.75  
ORDER NO: 66.1025



## PRODUCT FEATURES

### General Features

Electrical Outlet	8 - 16 pcs
Grounding Mode	4 - 8 pcs
IV Serum Hanger	2 pcs
Shelf	1 pc
Carrying Capacity	110 kg
Movement	Around the Axis: 350°
Movement Direction	Axial, Horizontal

### Material Features

Material	Top and Bottom Cover: PC-ABS Plastic
	Vertical Arm: Steel Profile
	Body: Aluminum Extrusion
	Shelf: Aluminum Casting
	Drawer: 1 mm Sheet Metal
	Body Cover: 1.2 mm Sheet Metal

### Optional Products

Data Socket
UPS Socket
Nurse Call
Telephone Socket
Monitor Stand
IV Serum Holder
Examination Lamp
Drawer Shelf

### Gas Outlets Used

Oxygen (O <sub>2</sub> )
Medical Air 4 (MA4)
Medical Air 7 (MA7)
Nitrous Oxide (N <sub>2</sub> O)
Carbon Dioxide (CO <sub>2</sub> )
Vacuum (VAC)
AGSS

### Description

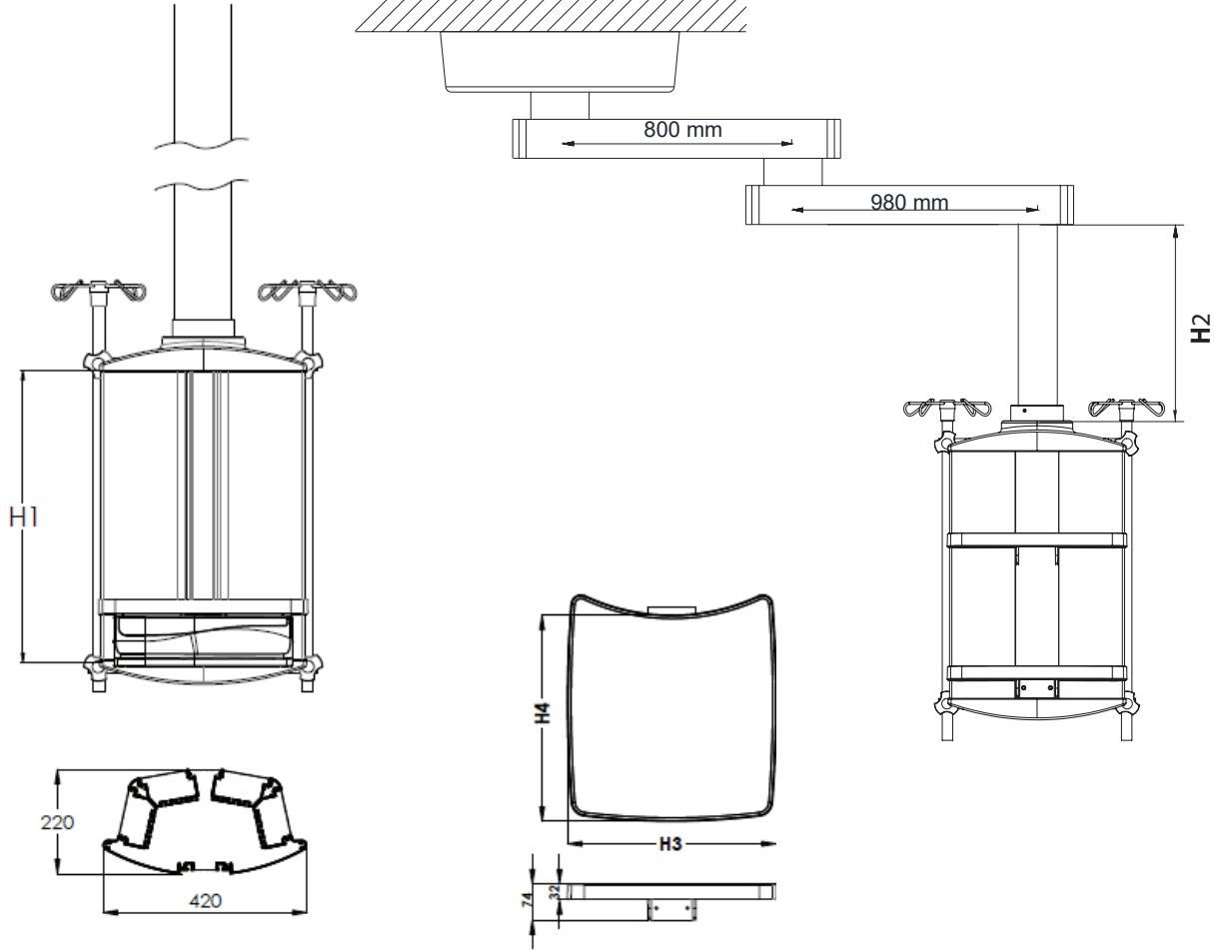
ÜZÜMCÜ pendant units are used in operating rooms, intensive care units (ICU), recovery rooms, and similar medical areas to provide medical gas outlets and electrical services around the patient.

### Classification

Our pendant units are classified as Medical Device Class I in accordance with the MDD 93/42/ EEC regulation and comply with international standards such as HTM 02-01, HTM 2022, EN 11197, EN 60601-1, and ISO 13485 in terms of safety, performance, and quality assurance.

- The main body profiles are manufactured using aluminum extrusion.
- Medical gas and electrical outlets are designed in accordance with international standards.
- Different length options are available for the pendant body and arm.
- The extension arm can rotate 350° around the horizontal axis.
- The shelves can move horizontally and rotate around their own axis.
- Shelves can move horizontally and rotate around their own axis.
- Load capacity: 50 kg.
- Manufactured using materials with high impact resistance,
- Surface design suitable for easy cleaning and disinfection.
- Compatible with nurse call system integration.
- Equipped with integrated medical gas piping and connection points,
- Electrical outlets are equipped with grounding for safe use.
- Ergonomic design ensures ease of use,
- Modular design allows customization to meet specific needs,
- Safety is enhanced with the use of fire-resistant materials.

## TEKNİK ÇİZİM



• Birimler "mm" cinsindedir.

H1 Boyut	H2 - H3 Boyut	H4 - H5 Boyut
600 mm	300 mm	430 x 430 mm
900 mm	500 mm	530 x 530 mm
1200 mm	700 mm	
	900 mm	
	1100 mm	