

PENDANTS

SINGLE JOINT PENDANT

MODEL: 5070.60
ORDER NO: 66.1024



PRODUCT FEATURES

General Features

Electrical Outlet	8 - 16 pcs
Grounding Mode	4 - 8 pcs
IV Serum Hanger	2 pcs
Shelf	1 pc
Carrying Capacity	220 kg
Movement	Around the Axis: 350°
Movement Direction	Axial

Material Features

Material	Top and Bottom Cover: PC-ABS Plastic
	Vertical Arm: Steel Profile
	Body: Aluminum Extrusion
	Shelf: Aluminum Casting
	Drawer: 1 mm Sheet Metal
	Body Cover: 1.2 mm Sheet Metal

Optional Products

Data Socket
UPS Socket
Nurse Call
Telephone Socket
Monitor Stand
IV Serum Holder
Examination Lamp
Drawer Shelf

Gas Outlets Used

Oxygen (O ₂)
Medical Air 4 (MA4)
Medical Air 7 (MA7)
Nitrous Oxide (N ₂ O)
Carbon Dioxide (CO ₂)
Vacuum (VAC)
AGSS

Description

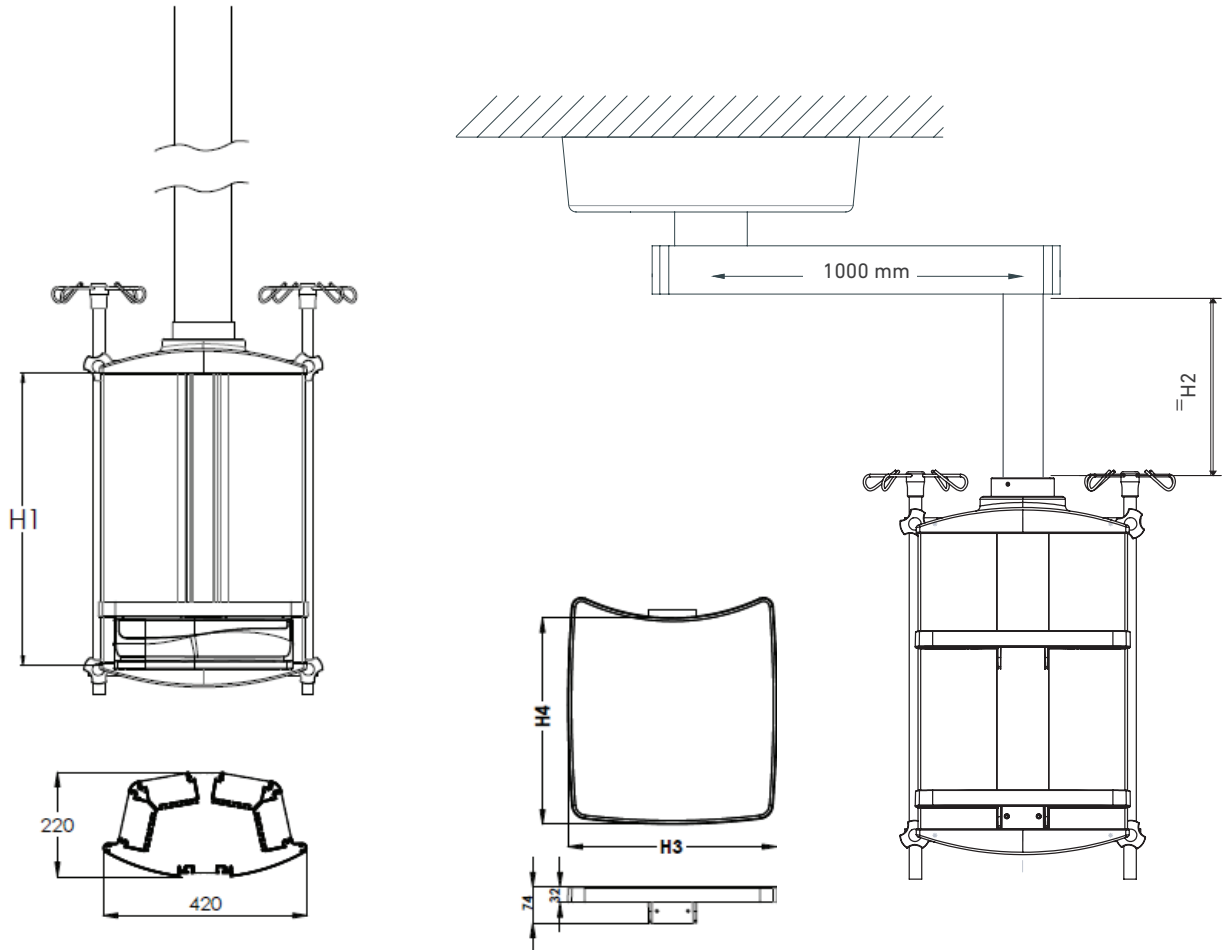
ÜZÜMCÜ pendant units are used in operating rooms, intensive care units (ICU), recovery rooms, and similar medical areas to provide medical gas outlets and electrical services around the patient.

Classification

Our pendant units are classified as Medical Device Class I in accordance with the MDD 93/42/ EEC regulation and comply with international standards such as HTM 02-01, HTM 2022, EN 11197, EN 60601-1, and ISO 13485 in terms of safety, performance, and quality assurance.

- The body is anodized, and the covers are electrostatically painted.
- Medical gas and electrical outlets are designed in accordance with international standards.
- Length alternatives are available for the pendant body and arm.
- The extension arm can rotate up to 350 degrees around its horizontal axis.
- The shelves have horizontal movement and rotation around their own axis, with a load capacity of 50 kg.
- Shelves feature horizontal movement and rotation around their own axis, with a load capacity of 50 kg.
- Manufactured using materials with high impact resistance.
- Surfaces suitable for easy cleaning and disinfection.
- Can be integrated with a nurse call system.
- Integrated medical gas piping and connection points.
- Electrical outlets equipped with grounding for safety.
- Ergonomic design ensures ease of use.
- Modular design allows customization to meet specific needs.
- Fire-resistant materials enhance safety.

TECHNICAL DRAWING



• Units are in "mm".

H1 Dimensions	H2 - H3 Dimensions	H4 - H5 Dimensions
600 mm	300 mm	430 x 430 mm
900 mm	500 mm	530 x 530 mm
1200 mm	700 mm	
	900 mm	
	1100 mm	