

OPERATING TABLE ACCESSORIES

MODEL: OM-255
ORDER NO: 11.1039

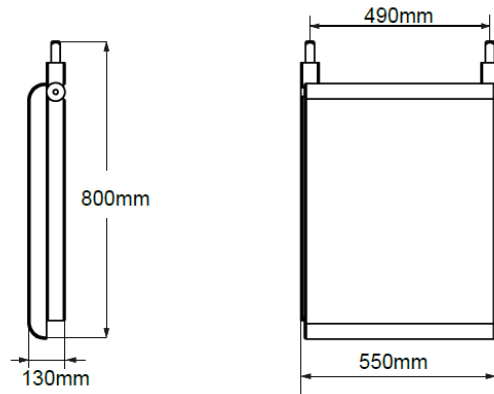
General Features

Model	OM-255
Description	Extention Lef Plate - Single
Floor Thickness	50 mm
Floor Area	535x700 mm
Gross Weight	13 kgs
Dimensions	620x880x170 mm
Compliance with Regulations	CE
Classification	Class I (MDD 93/42 EEC)

Material Features

Body	Stainless Steel (AISI 304, DIN X5 CrNi 18-10)
Support	Polyurethane Mattress

TECHNICAL DRAWING



MODEL: OM-270
ORDER NO: 11.1036

General Features

Model	OM-270
Description	Ophthalmologic Head and Wrist Support
Gross Weight	9 kgs
Dimensions	- mm
Compliance with Regulations	CE
Classification	Class I (MDD 93/42 EEC)

Material Features

Body	Stainless Steel (AISI 304, DIN X5 CrNi 18-10)
Support	Polyurethane

TECHNICAL DRAWING

