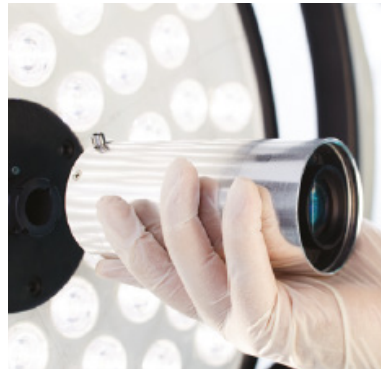


SINGLE HEAD OPERATING LIGHT

MODEL: DL-6D
ORDER NUMBER: 22.1093



PRODUCT FEATURES

General Features

Lamp Features	LED Lamp
Arm Joint Type	Spring Type Joint Arms
Classification	Class I – EU 2017/745 MDR
Regulatory Compliance	CE
Standards	EN 60601-1, EN IEC 60601-2-41, EN 60601-1-2

Material Specifications

Header Plate	ABS
Handle Material	Polyurethane
Horizontal Arms	Aluminum
Cardanic Arms	Static Painted (RAL 9002)
Sterile Handle Material	ABS + PC

Recommendation

The handle should be sterilized at 134 °C between 3,5-5 minutes and at 121°C during 10 minutes

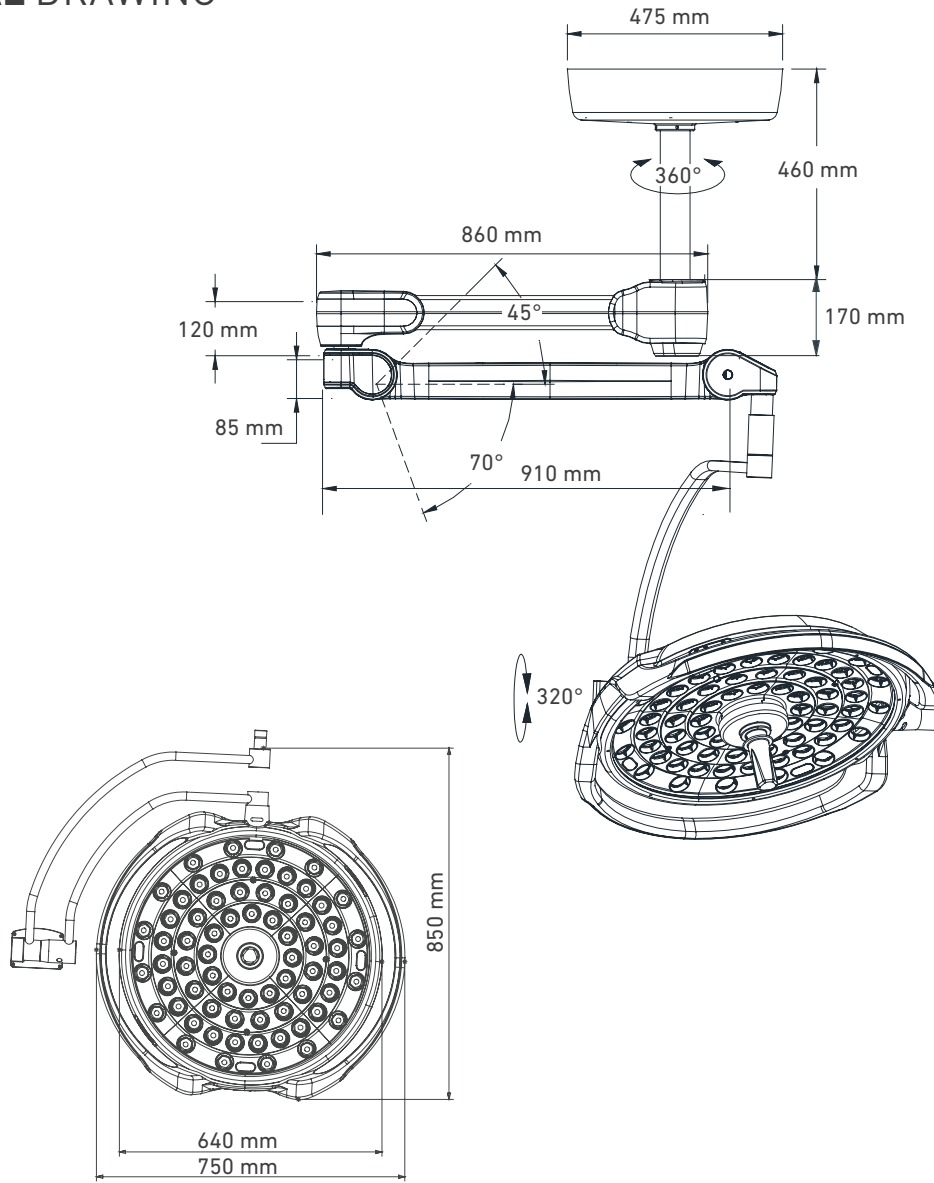
Tehnicial Specifications

Diameter of Lighthead	Ø640 mm
Adjustable Focus Diameter	150 – 300 mm
Spring Lamp Arm Length	910 mm
Spring Lamp Arm Movement Angle	+45° / -70°
Ceiling Mount Arm	360°
Color Rendering Index, CRI	Ra>96
Color Temperature	3500K-5000K adjusted
Light Power	160.000 lux
Light Intensity Adjustment	1-100 %
Temperature Increase On The Surgical Area	< 0,5°C
Led Module Quantity	68
Led Life	> 60.000 hours
Total Consumption Nominal	85 W
Main Voltage	100-120V AC/ 4.0A 200-240V AC/ 2.0A 50-60 Hz
Operating Voltage	24 VDC
Lighting Depth (L1+L2 at %60)	>71 cm
UV Radiation Intensity	0,2 W/m ²
Radiant Energy	3,3 mW/m ² lx
Total Weight Head and Cardanic Arms	16 kgs

SINGLE HEAD OPERATING LIGHT

MODEL: DL-6D
ORDER NUMBER: 22.1093

TECHNICAL DRAWING



- Units are in "mm"
- Note: ± 25 mm tolerance is given for metric measurements and $\pm 5^\circ$ tolerance is given for angle measurements.