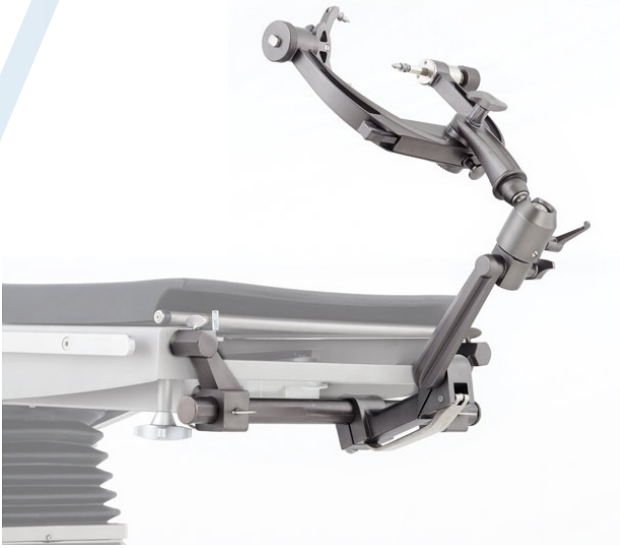


OPERATING TABLE ACCESSORIES

MODEL: OM-285
ORDER NO: 11.1034



General Features

Model	OM-285
Description	Studded Head
Material	Stainless Steel (AISI 304, DIN X5 CrNi 18-10)
Gross Weight	8 kgs
Dimensions	420x610x360 mm
Compliance with Regulations	CE
Classification	Class I (MDD 93/42 EEC)

Material Features

Body	Antistatic Painted Aluminum Casting
Nail	Stainless Steel
Horizontal Movement Rail	Ø32x2 mm Aluminum Tube



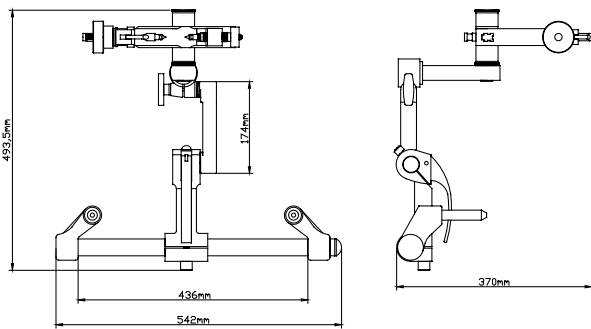
General Features

Model	OM-285
Description	At Nalı Baş Desteği
Material	-
Gross Weight	7,3 kgs
Dimensions	350x600x440 mm
Compliance with Regulations	CE
Classification	Class I (MDD 93/42 EEC)

Material Features

Body	PS Plastic
Head Support	Polyurethane

TECHNICAL DRAWING



TECHNICAL DRAWING

