

PENDANTS

DOUBLE JOINT- MOTORISED PENDANT

MODEL: 5070.81
ORDER NO: 66.1586



PRODUCT FEATURES

General Features

Electrical Outlet	8 - 16 pcs
Grounding Mode	4 - 8 pcs
IV Serum Hanger	2 pcs
Shelf	1 pc
Carrying Capacity	50 kgs
Movement	Around the Axis: 350° Up and Down: 25° / 27°
Movement Direction	Vertical, Horizontal, Axial

Material Features

Material	Top and Bottom Cover: PC-ABS Plastic
	Vertical Arm: Steel Profile
	Body: Aluminum Extrusion
	Shelf: Aluminum Casting
	Drawer: 1 mm Sheet Metal
	Body Cover: 1.2 mm Sheet Metal

Optional Products

Data Socket
UPS Socket
Nurse Call
Telephone Socket
Monitor Stand
IV Serum Holder
Examination Lamp
Drawer Shelf

Gas Outlets Used

Oxygen (O ₂)
Medical Air 4 (MA4)
Medical Air 7 (MA7)
Nitrous Oxide (N ₂ O)
Carbon Dioxide (CO ₂)
Vacuum (VAC)
AGSS

Description

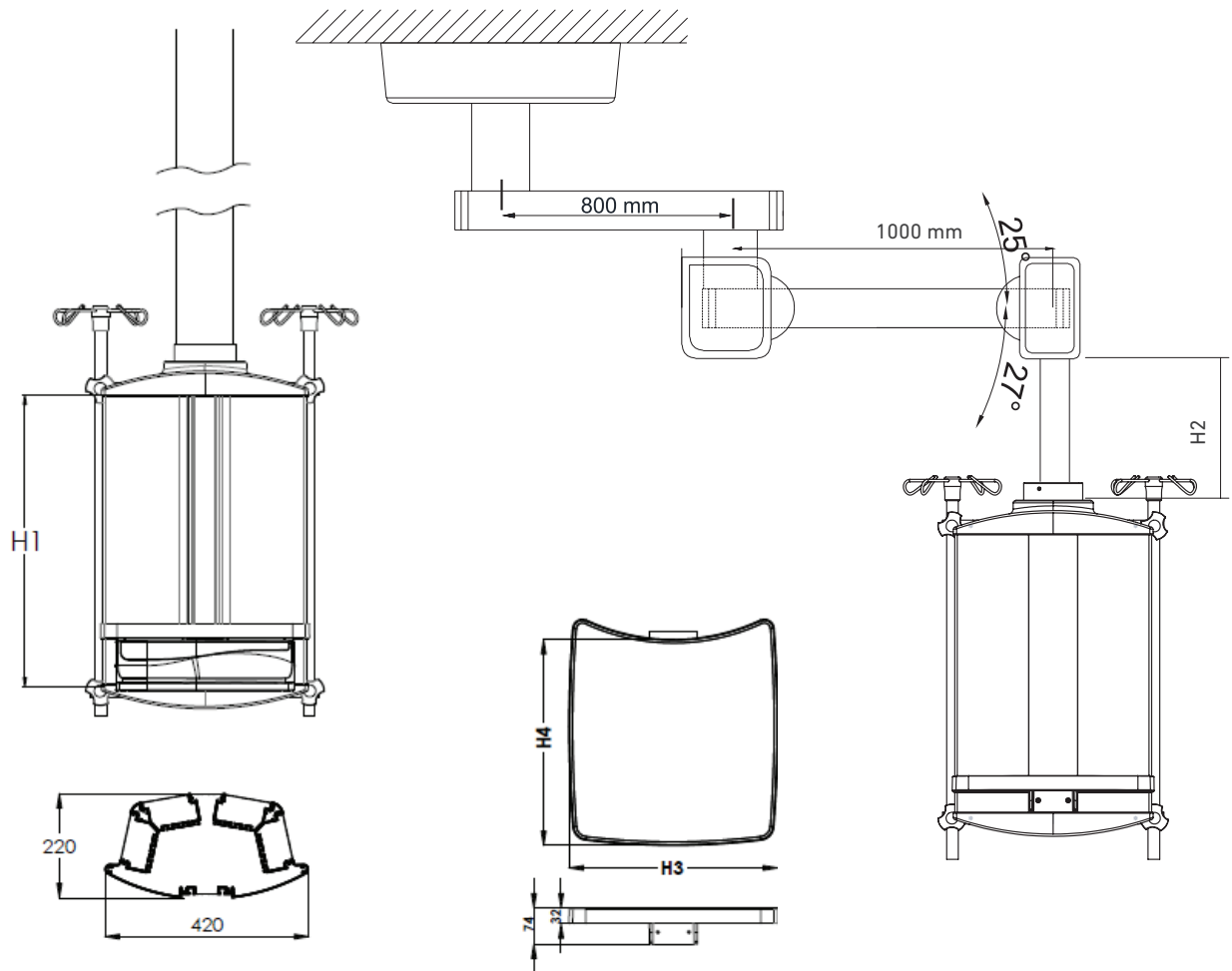
ÜZÜMCÜ pendant units are used in operating rooms, intensive care units (ICU), recovery rooms, and similar medical areas to provide medical gas outlets and electrical services around the patient.

Classification

Our pendant units are classified as Medical Device Class I in accordance with the MDD 93/42/ EEC regulation and comply with international standards such as HTM 02-01, HTM 2022, EN 11197, EN 60601-1, and ISO 13485 in terms of safety, performance, and quality assurance.

- The main body profiles are manufactured using aluminum extrusion.
- Medical gas and electrical outlets are designed in accordance with international standards.
- Different length options are available for the pendant body and arm.
- The extension arm can rotate 350° around the horizontal axis.
- The shelves can move horizontally and rotate around their own axis.
- Shelves can move horizontally and rotate around their own axis.
- Load capacity: 50 kg.
- Manufactured using materials with high impact resistance,
- Surface design suitable for easy cleaning and disinfection.
- Compatible with nurse call system integration.
- Equipped with integrated medical gas piping and connection points,
- Electrical outlets are equipped with grounding for safe use.
- Ergonomic design ensures ease of use,
- Modular design allows customization to meet specific needs,
- Safety is enhanced with the use of fire-resistant materials.

TECHNICAL DRAWING



• Units are in "mm".

H1 Dimensions	H2 - H3 Dimensions	H4 - H5 Dimensions
600 mm	300 mm	430 x 430 mm
900 mm	500 mm	530 x 530 mm
1200 mm	700 mm	
	900 mm	
	1100 mm	