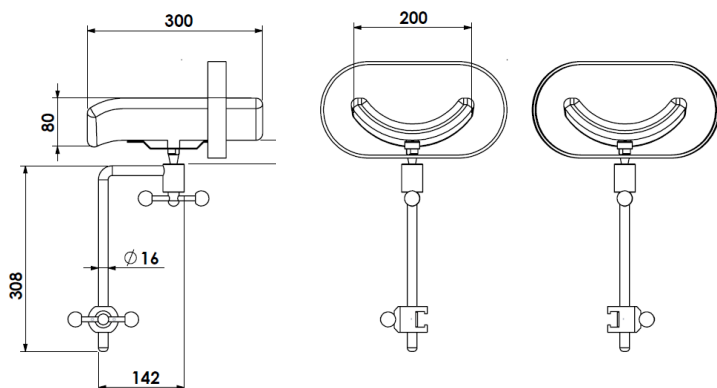


# OPERATING TABLE ACCESSORIES

MODEL: OM-220  
ORDER NO: 11.1030

## General Features

Model	OM-220
Description	Geopel Leg Rest
Material	Stainless Steel (AISI 304, DIN X5 CrNi 18-10)
Gross Weight	6 kgs
Dimensions	440x510x270 mm
Compliance with Regulations	CE
Classification	Class I (MDD 93/42 EEC)



MODEL: OM-250  
ORDER NO: 11.1038

## General Features

Model	OM-250
Description	Meniscus Positioning Roll
Gross Weight	2,4 kgs
Dimensions	270x550x90 mm
Compliance with Regulations	CE
Classification	Class I (MDD 93/42 EEC)



## Material Features

Body Material	Stainless Steel (AISI 304, DIN X5 CrNi 18-10)
Support Material	Polyurethane

## TECHNICAL DRAWING

