

OPERATING TABLE ACCESSORIES

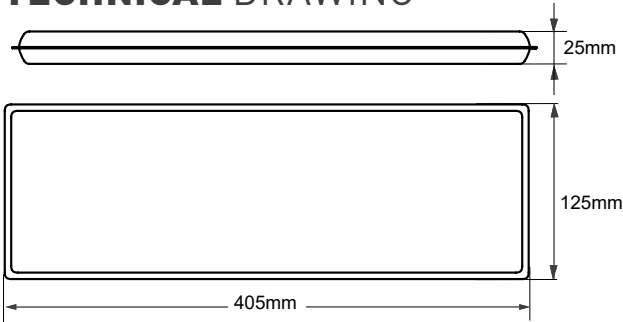
MODEL: OM-420
ORDER NO: 11.1009

General Features

Model	OM-420
Description	Arm Support Pad, Gel
Material	Silicone Gel
Gross Weight	1 kg
Packaging Dimensions	425x145x45 mm
Compliance with Regulations	CE
Classification	Class I (MDD 93/42 EEC)



TECHNICAL DRAWING



MODEL: OM-200
ORDER NO: 11.1026

General Features

Model	OM-200
Description	Foot Support Plate
Material	Stainless Steel
Gross Weight	3,5 kgs
Packaging Dimensions	470x310x140 mm
Connection Type	Rail Mounting
Material	20x20 Profile - Compact Upper Body
Compliance with Regulations	CE
Classification	Class I (MDD 93/42 EEC)



TECHNICAL DRAWING

