

FLOWMETER

PRODUCT FEATURES

Description

ÜZÜMCÜ offers different flowmeter models based on gas flow rate, connection types, and humidification chambers used with oxygen. Flowmeters can be directly connected to a medical gas outlet or mounted on a rail system and used with flexible hoses. Models classified as adult-type provide adjustable gas flow in the range of 0–15 L/min. ÜZÜMCÜ flowmeters, certified to CE1984, are manufactured in accordance with the ISO 15002 standard.

Features

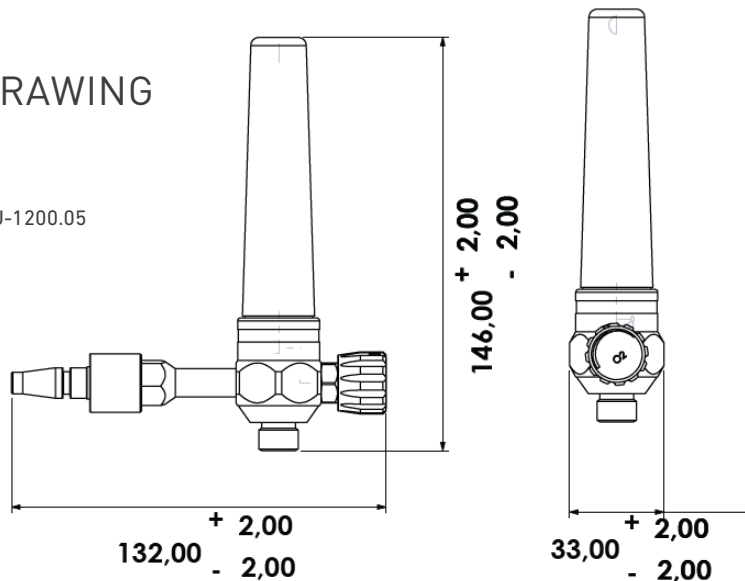
- Designed to adjust and control oxygen flow.
- Features durable polycarbonate inner and outer tubes. The body is made of brass.
- Provides precise measurement performance thanks to its needle valve design.
- The scale is marked with a standard scale in the 0–15 L/min range.
- Optional: 0–5 L/min scale for pediatrics.



Type		Without adapter	BS	DIN	AFNOR
Oxygen	Model	1200.00E	1200.05	1200.10	1200.15
	Order No	66.1524	66.1145	66.1146	66.1147
Air	Model	1200.30	1200.05U	1200.10U	1200.15U
	Order No	66.1521	66.1575	66.1576	66.1577

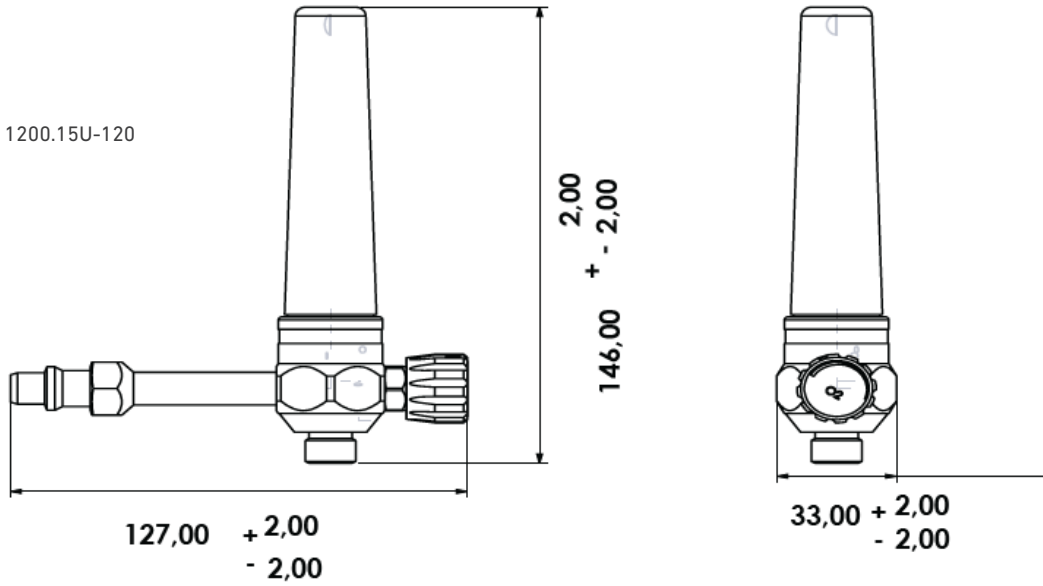
TECHNICAL DRAWING

BS 12000.05U-1200.05



TECHNICAL DRAWING

DIN 1200.15U-120



AFNOR 1200.10U-1200.10

