

BRUSH

MODEL: 87075 / 87065 / 87050

ORDER NO: 55.1078 / 55.1077 / 55.1076

Description

Soap dispensers are durable and hygienic equipment used in hospitals and healthcare facilities to ensure hand hygiene. Soap dispensers safely store liquid soap or antiseptic solutions and dispense them in controlled amounts. They are usually wall-mounted and come in manual or sensor-activated (automatic) models. Sensor-activated models reduce the risk of spreading infectious diseases by enabling touchless use.

87075 SOAP AND DISINFECTANT DISPENSER

- Photoelectric sensor control
- Long battery life with soap quantity adjustment and low energy consumption
- Hygienic, anodized aluminum body
- Autoclavable pump system and wall mounting bracket



87065 SOAP AND DISINFECTANT DISPENSER

- Elbow-operated stainless steel pump handle
- Soap quantity adjustment and wall connection device

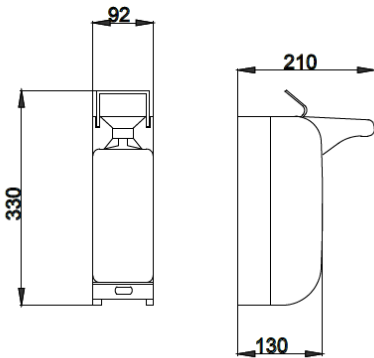


87050 SOAP AND DISINFECTANT DISPENSER

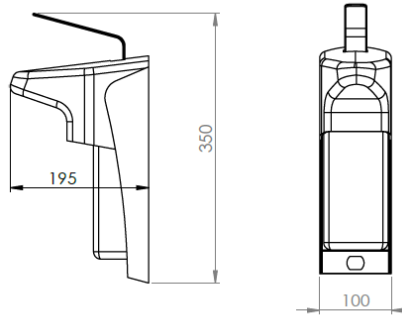
- Foot pump control feature
- Wall mounting bracket



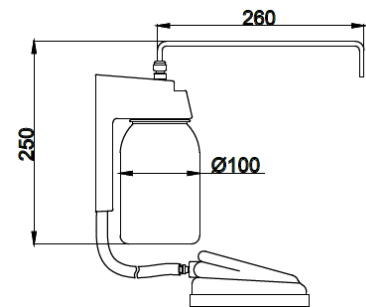
TECHNICAL DRAWING



87075 SOAP AND
DISINFECTANT DISPENSER



87065 SOAP AND
DISINFECTANT DISPENSER



87050 SOAP AND
DISINFECTANT DISPENSER