

AREA FLOOR CONTROL UNIT

Description

The ÜZÜMCÜ Regional Gas Control Unit is designed to ensure the safe isolation of medical gases between different floors in hospital environments. The unit has all the functions required by EN ISO 7396-1 and HTM 02-01 standards. Isolation can be used for safe intervention during installation, maintenance, and emergencies.

Classification

- The Regional Gas Control Unit is manufactured in accordance with HTM 02-01, HTM 2022, EN ISO 7396-1, and TS EN 15908 standards.
- It bears the CE 1984 mark.

Gases Used

Oxygen (O ₂)
Medical Air 4 (MA4)
Medical Air 7 (MA7)
Nitrous Oxide (N ₂ O)
Carbon Dioxide (CO ₂)
Vacuum (VAC)

Features

- Provides 1-5 gas control, enabling multiple gases to be monitored and managed safely at the same time.
- The locked cover system allows access only to authorized technical personnel, thereby enhancing system security and preventing unauthorized interventions.
- The transparent cover design enables easy external monitoring of gas names and vacuum meter values, making maintenance and monitoring processes more practical.
- Both in-wall and surface-mounted installation options are available.
- The alarm indicator structure alerts the user immediately upon detecting any malfunction or abnormal condition, enabling swift intervention and maximizing safety.
- The knock-down lock system enables rapid intervention in emergency situations or when access to the key is unavailable.



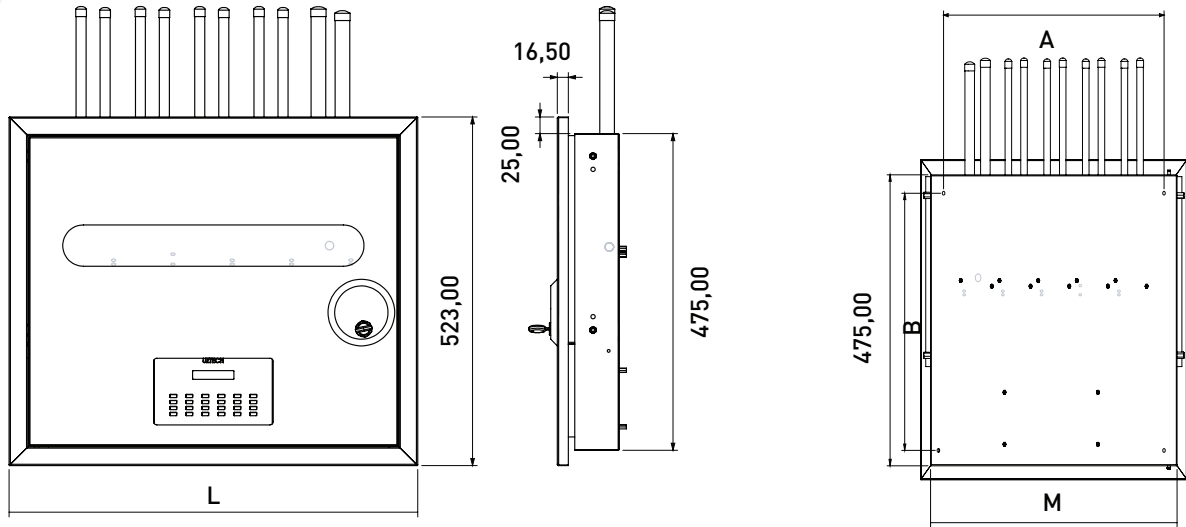
Copper Pipe Size

15 mm
22 mm
28 mm
42 mm

	Electrostatic Painted		Stainless Steel	
	Under-plaster version	On-plaster version	Under-plaster version	On-plaster version
	Order No		Order No	
1 gas (without alarm)	66.1098	66.1108	66.1098S	66.1108S
1 gas (with alarm)	66.1103	66.1113	66.1103S	66.1113S
2 gas (without alarm)	66.1508	66.1109	66.1508S	66.1109S
2 gas (with alarm)	66.1104	66.1114	66.1104S	66.1114S
3 gas (without alarm)	66.1509	66.1110	66.1509S	66.1110S
3 gas (with alarm)	66.1105	66.1115	66.1105S	66.1115S
4 gas (without alarm)	66.1510	66.1111	66.1510S	66.1111S
4 gas (with alarm)	66.1106	66.1116	66.1106S	66.1116S
5 gas (without alarm)	66.1511	66.1112	66.1511S	66.1112S
5 gas (with alarm)	66.1107	66.1117	66.1107S	66.1117S

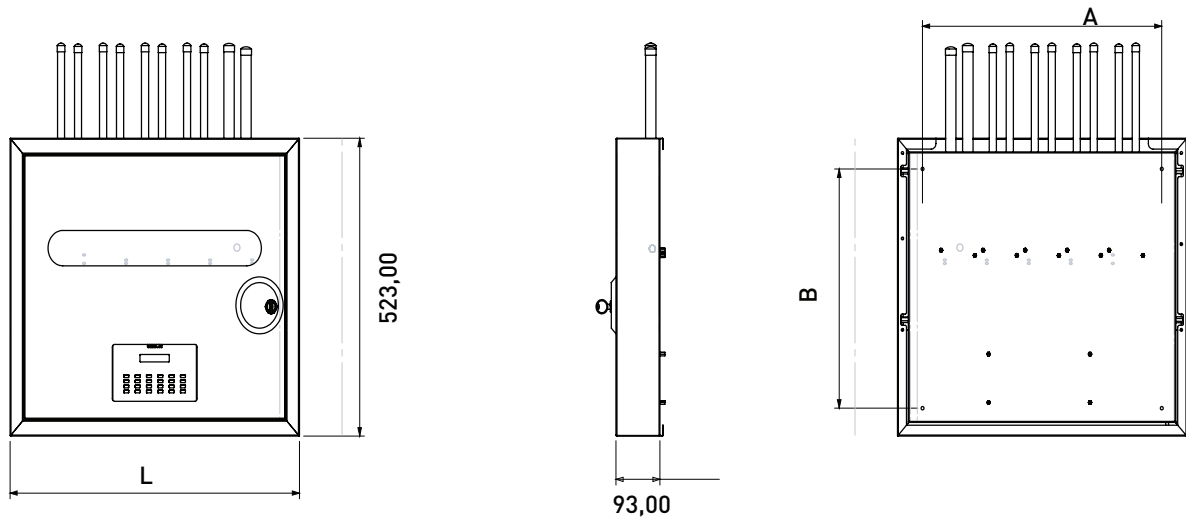
AREA FLOOR CONTROL UNIT

TECHNICAL DRAWING



M: 1-2 gas	= 332 mm
M: 3 gas	= 387 mm
M: 4-5 gas	= 613 mm
L: 1-2 gas	= 286 mm
L: 3 gas	= 341 mm
L: 4-5 gas	= 567 mm

A: 1-2 gas	= 226 mm
A: 3 gas	= 281 mm
A: 4-5 gas	= 507 mm
B: 1-2 gas	= 420 mm
B: 3 gas	= 420 mm
B: 4-5 gas	= 420 mm



L: 1-2 gas	= 332 mm
L: 3 gas	= 387 mm
L: 4-5 gas	= 613 mm