

OPERATING TABLE ACCESSORIES

MODEL: OM-330
ORDER NO: 11.1040

Genel Özellikler

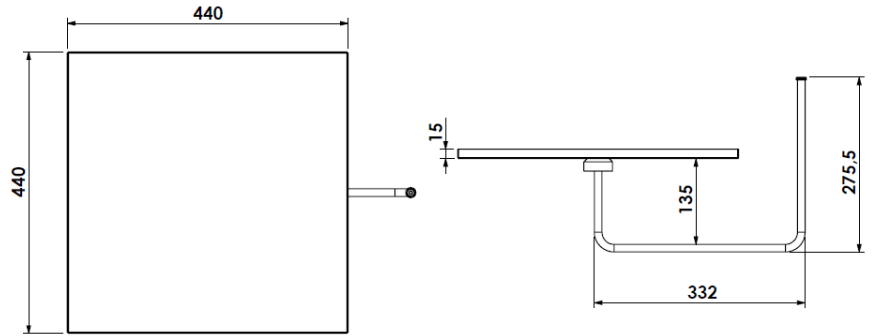
Model	OM-330
Description	X-Ray Cassette Carrier
Gross Weight	3 kgs
Dimensions	430x450x20 mm
Product Documentation	CE
Classification	Class I (MDD 93/42 EEC)

Product Features

Body	AISI 304 Stainless Steel Sheet
Material	Stainless Steel (AISI 304, DIN X5 CrNi 18-10)
Support	Ø12 mm Stainless Steel Rod



TECHNICAL DRAWING



MODEL: OM-365
ORDER NO:11.1041

Genel Özellikler

Model	OM-365
Description	Arm Surgical Table
Mattress Area	720x320x50 mm
Wheel Features	Ø72.5 mm Brake Wheel 2 pieces
Gross Weight	11 kgs
Dimensions	330x800x170 mm
Product Documentation	CE
Classification	Class I (MDD 93/42 EEC)

Product Features

Material	Stainless Steel (AISI 304, DIN X5 CrNi 18-10)
Body	25x25 mm Stainless Steel Box Profile
Mattress	Visco



TECHNICAL DRAWING

